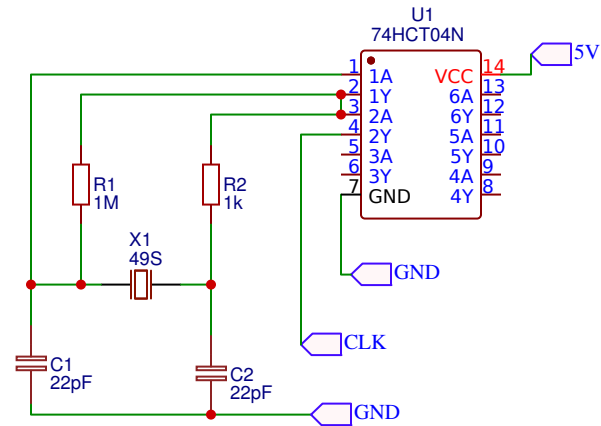
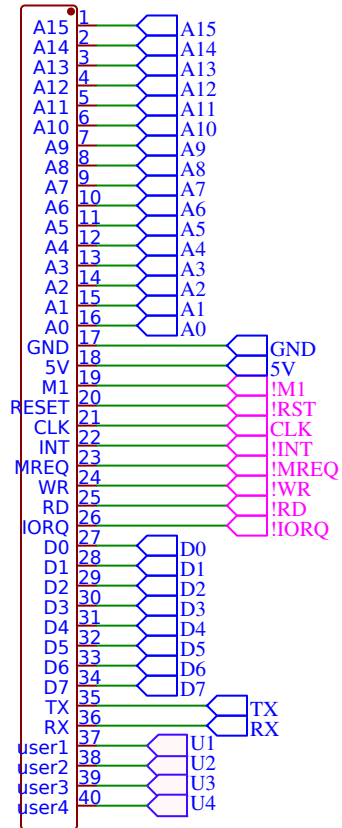


RC40 BUS
2.54mm 1x40P



TITLE: 11 Single Clock (11)		REV: E
Date: 21.08.2018	Sheet: 1/1	
EasyEDA V5.3.14	Drawn By: karlab	