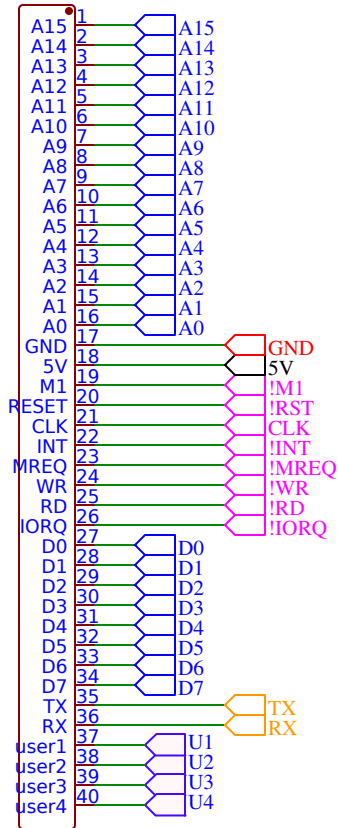
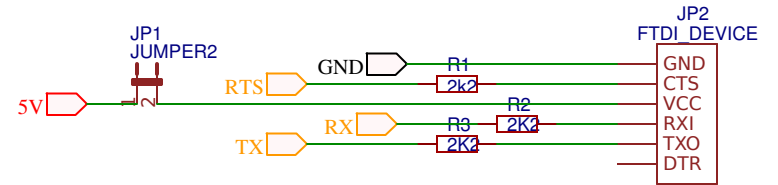
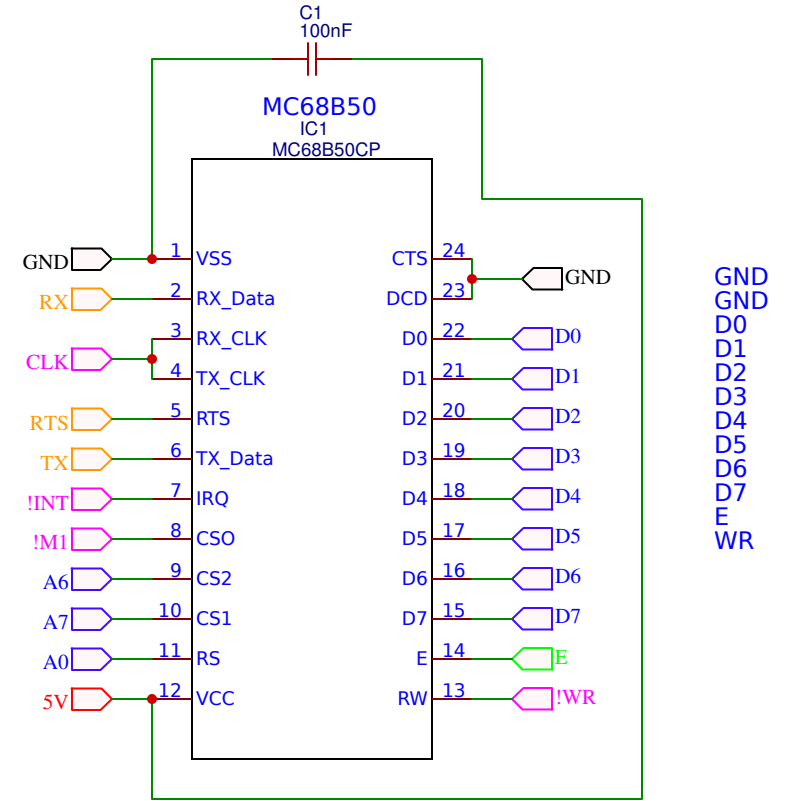
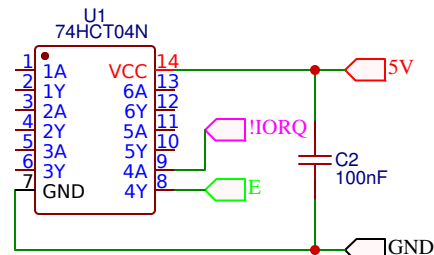


RC40 BUS
2.54mm 1x40P



GND
RX
CLK
CLK
RTS
TX
INT
M1
A6
A7
A0
5V

5V
IOREQ
E



| | | |
|--|------------------|------------|
| TITLE: 15 Serial I/O MC68B50 | | REV: E |
| Date: 21.08.2018 | | Sheet: 1/1 |
| EasyEDA V5.4.11 | Drawn By: karlab | |