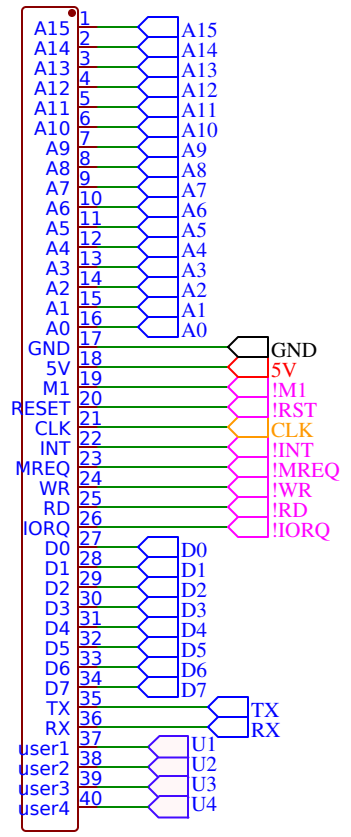
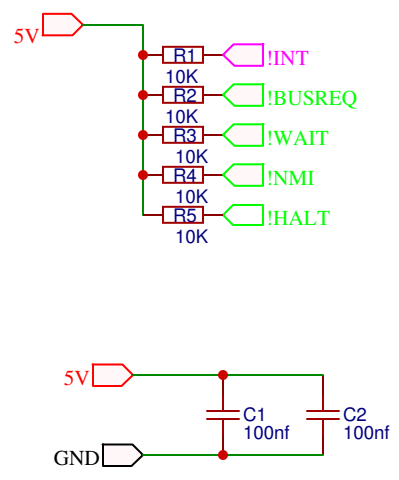


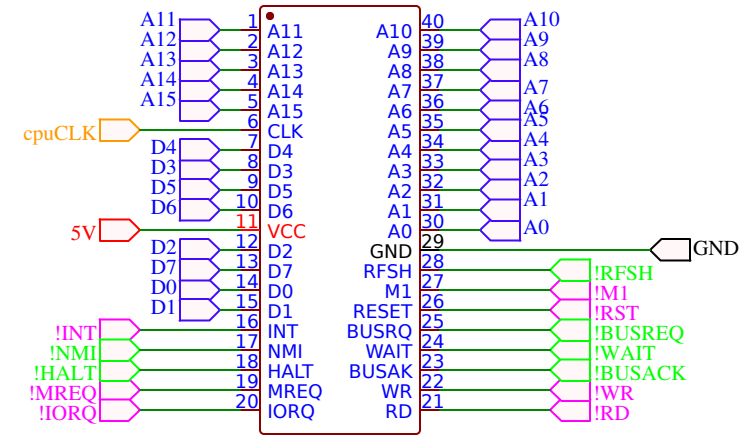
RC40\_BUS  
2.54mm 1x40P



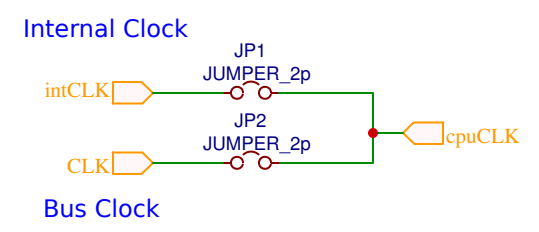
Pull Signals High



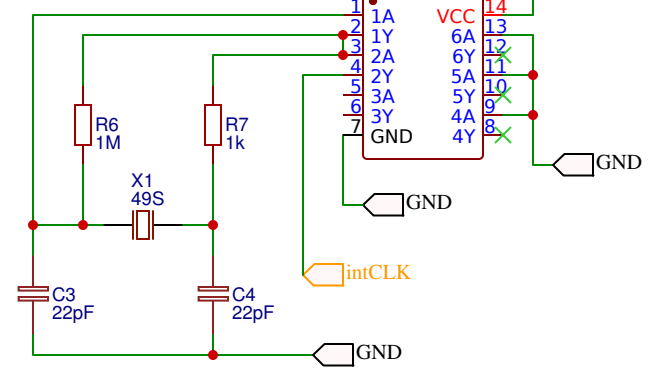
IC1  
Z80CPU



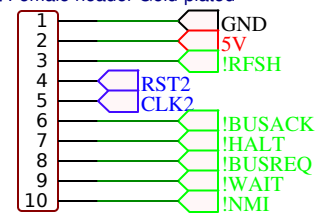
Clock Select



U1  
74HCT04N



EXT\_BUS  
2.54mm 1\*10P Straight Female header Gold-plated



TITLE: <b>21 CPU and Clock</b>		REV: <b>D</b>
Date: <b>29.12.2018</b>		Sheet: <b>1/1</b>
EasyEDA V5.3.14		Drawn By: <b>karlab</b>