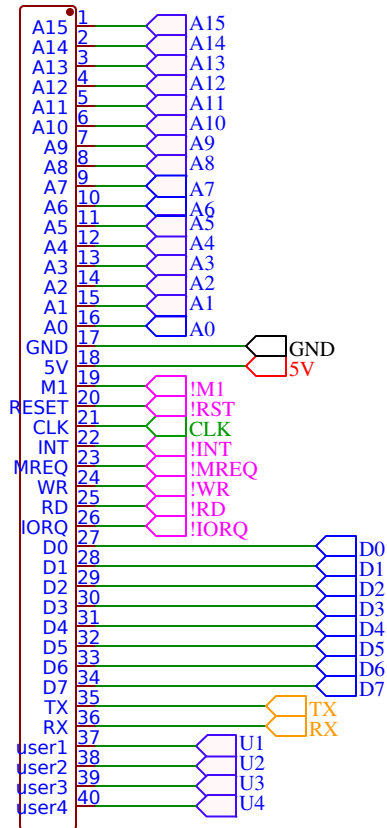
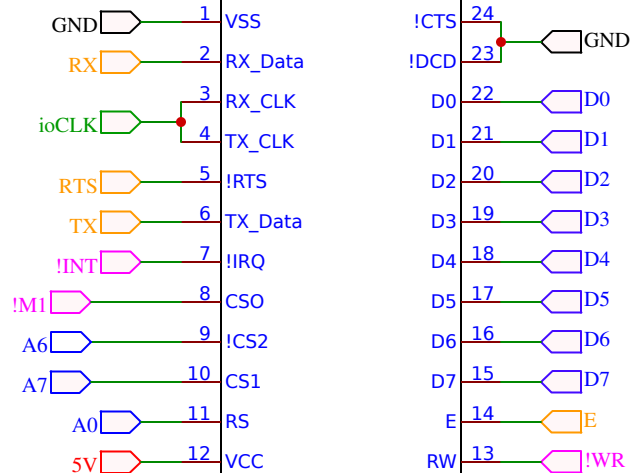


RC40_BUS
2.54mm 1x40P

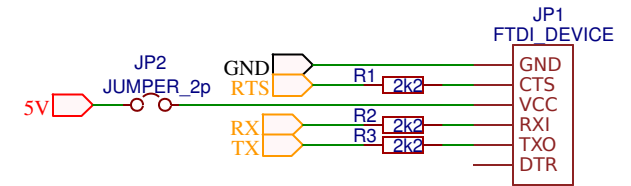


MC68B50

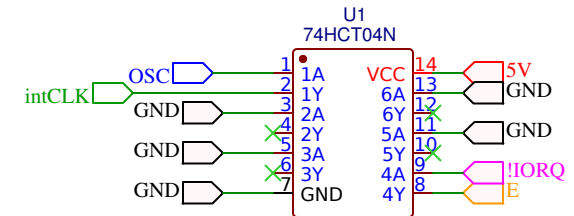
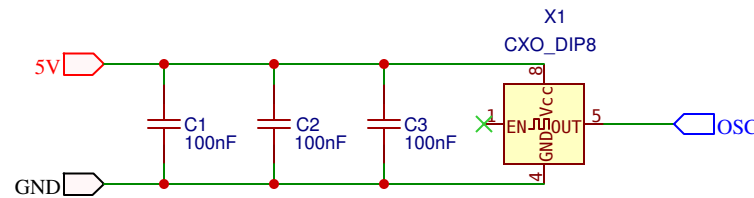
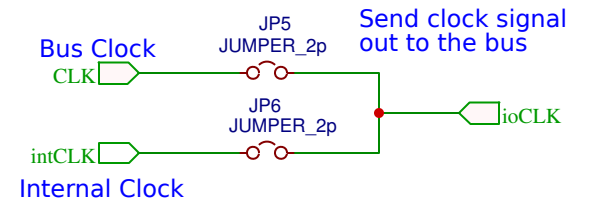
IC1
MC68B50CP



address select \$80-BF



Clock and Clock Select
+ Glue logic



TITLE: 32 Serial I/O MC68B50		REV: E
Date: 08.02.2019		Sheet: 1/1
EasyEDA V5.6.15	Drawn By: karlab	