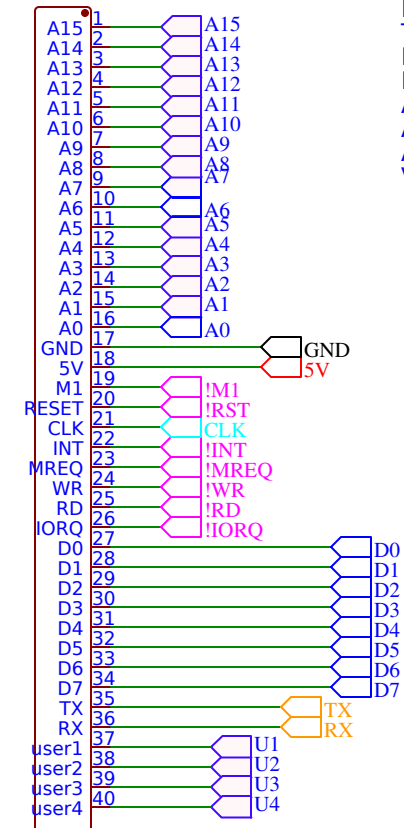


RC40\_BUS  
2.54mm 1x40P

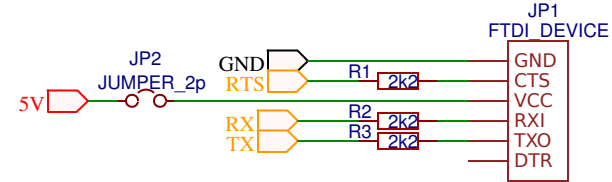
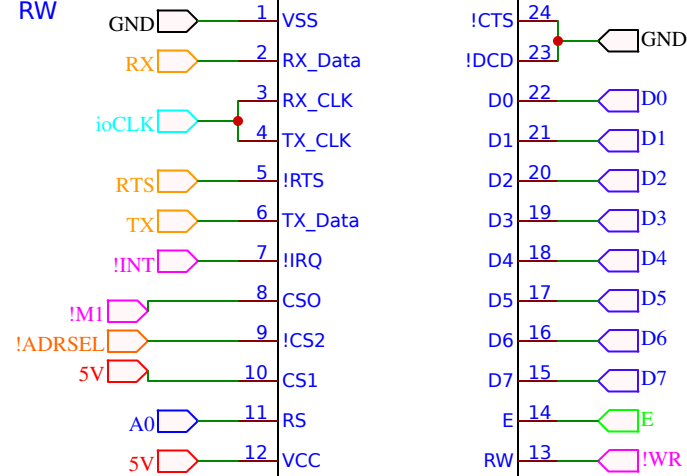


GND  
RX  
ioCLK  
ioCLK  
RTS  
INT  
M1  
A6  
A7  
A0  
Vcc

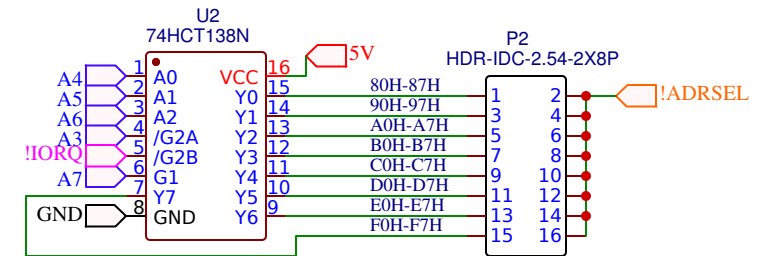
GND  
GND  
D0  
D1  
D2  
D3  
D4  
D5  
D6  
D7  
E  
RW

MC68B50

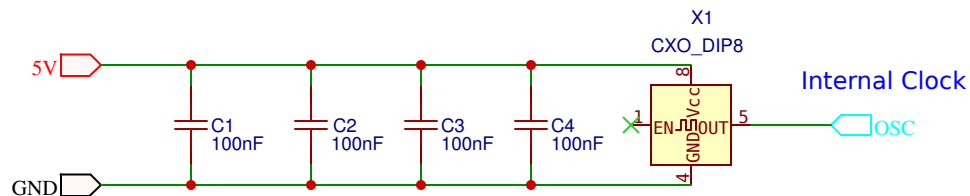
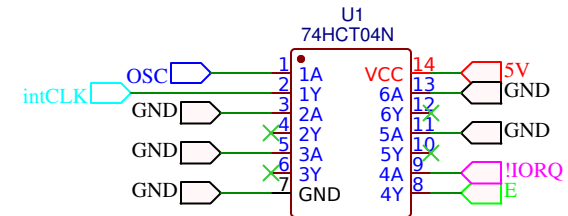
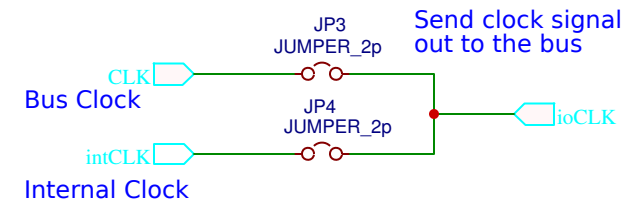
IC1  
MC68B50CP



ADDRESS LOGIC



Clock and Clock Select  
+ Glue logic



TITLE: #33 Serial I/O		REV: E
Date: 08.02.2019	Sheet: 1/1	
EasyEDA V5.8.20	Drawn By: karlab	