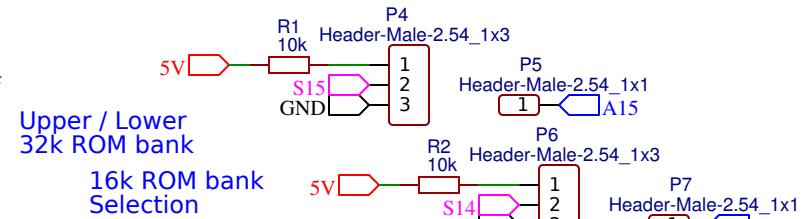
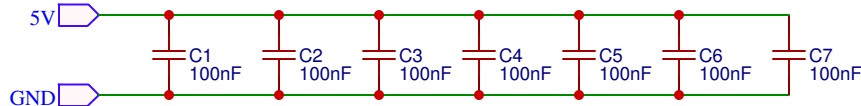
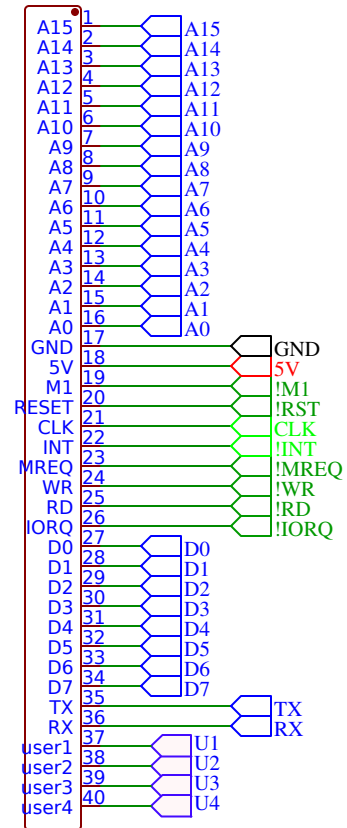
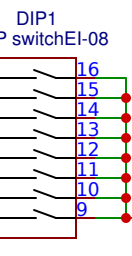
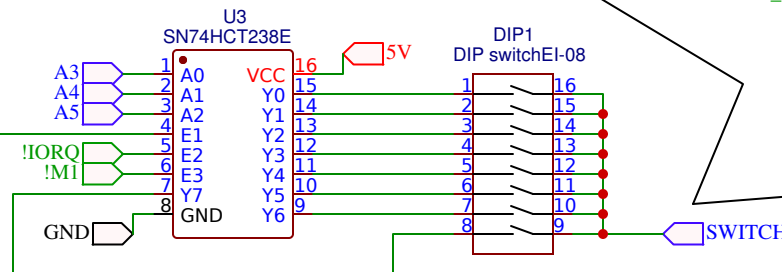
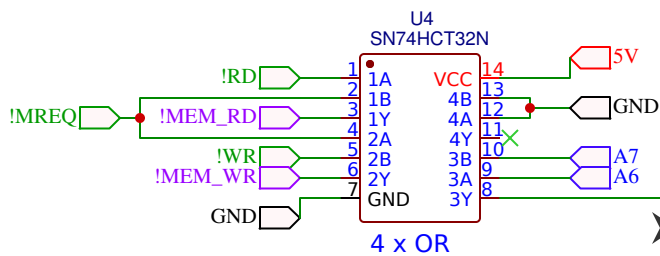
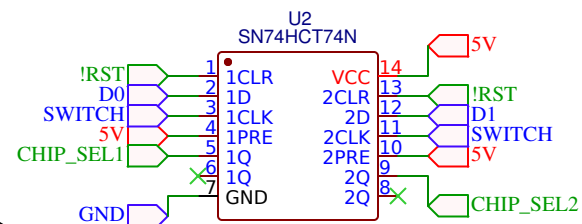
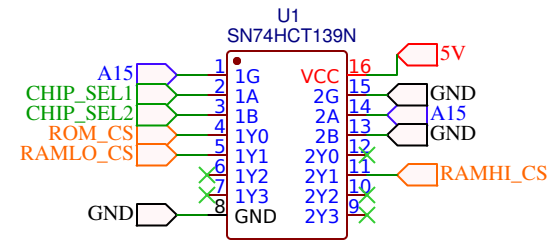
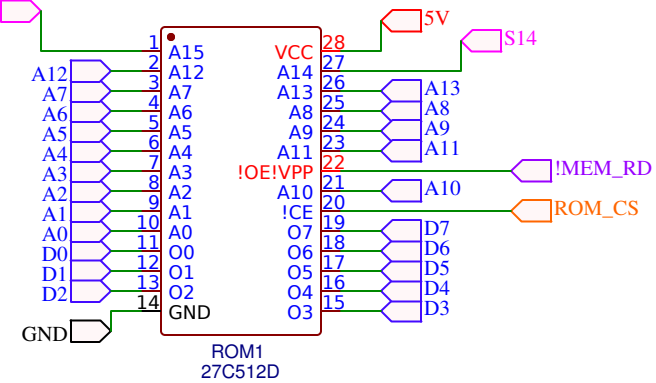
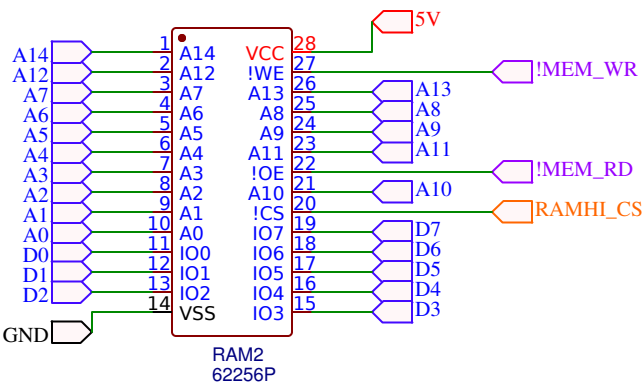
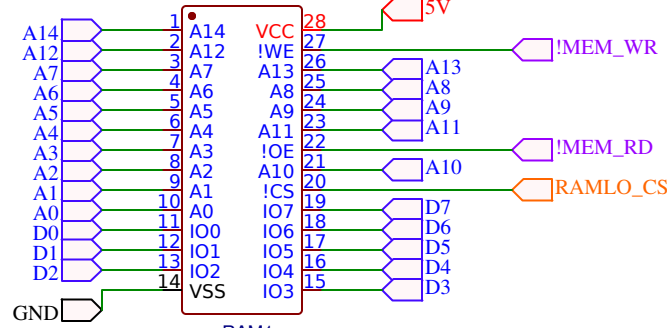


RC40_BUS
2.54mm 1x40P



Upper / Lower
32k ROM bank
16k ROM bank
Selection



Based on SM Bakers memory module

TITLE: #42 Memory Module		REV: D
Date: 2018-11-29	Sheet: 1/1	
EasyEDA V5.8.22	Drawn By: karlab	