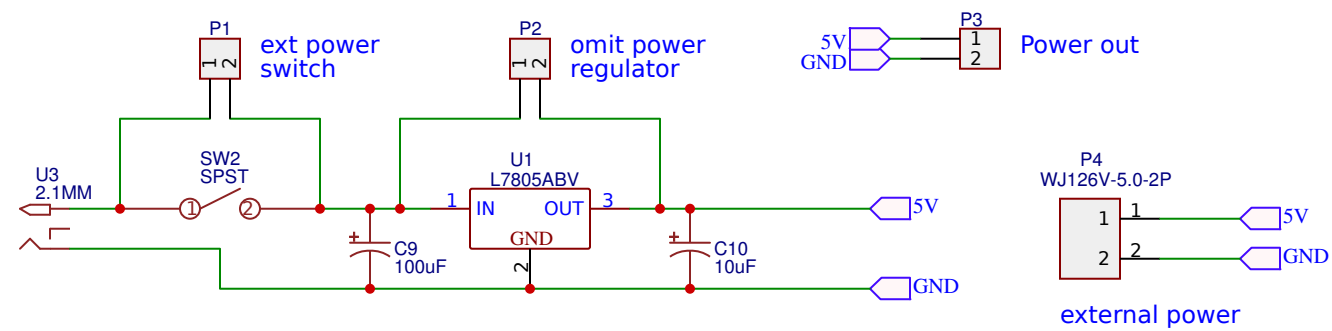
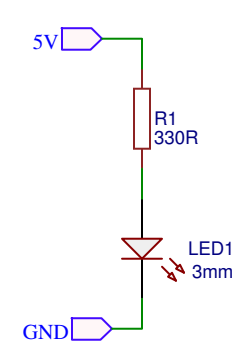


RC80 bus

Power +5V
w/power switch and Power regulator



Power Light



Reset Circuit

