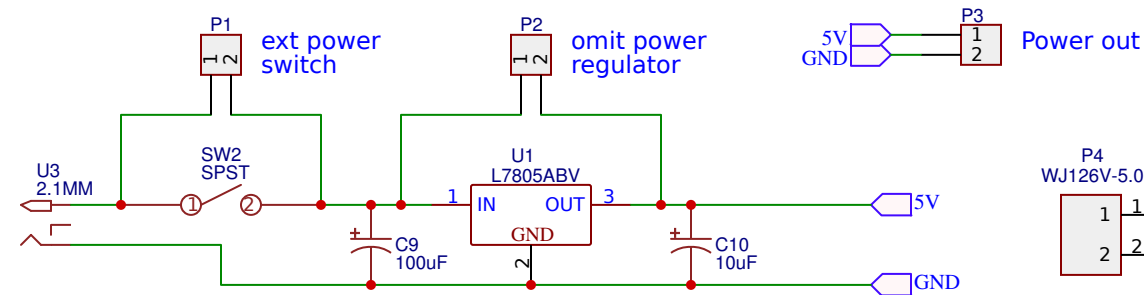
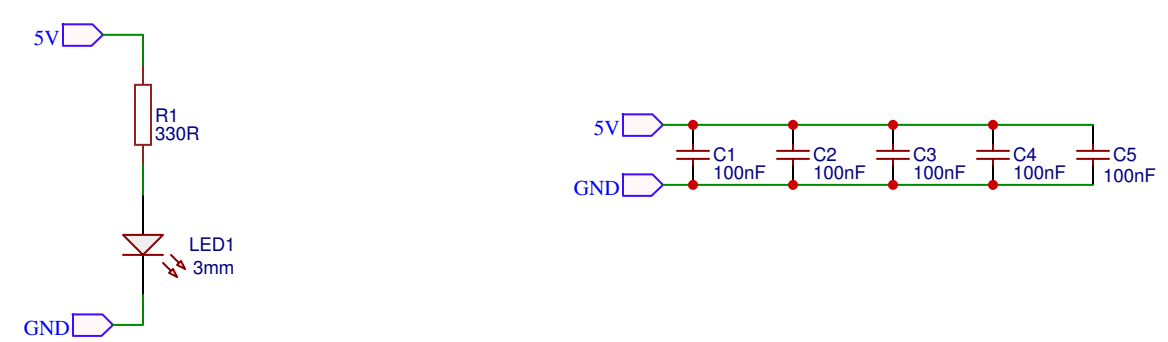


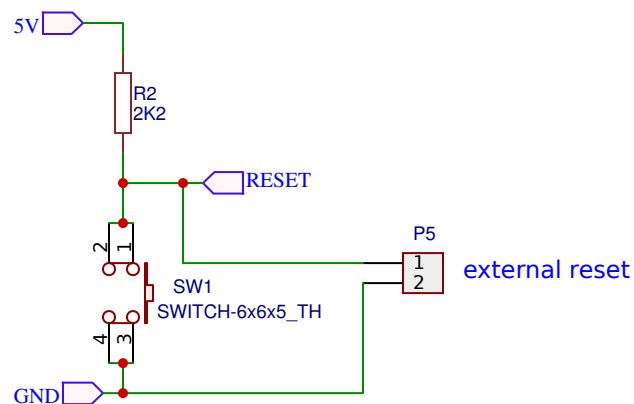
Power +5V
w/power switch and Power regulator



Power Light



Reset Circuit



RC80 bus

TITLE: 05 BackPlane Five		REV: B
Date: 24.08.2018	Sheet: 1/1	
EasyEDA V5.4.12	Drawn By: karlab	