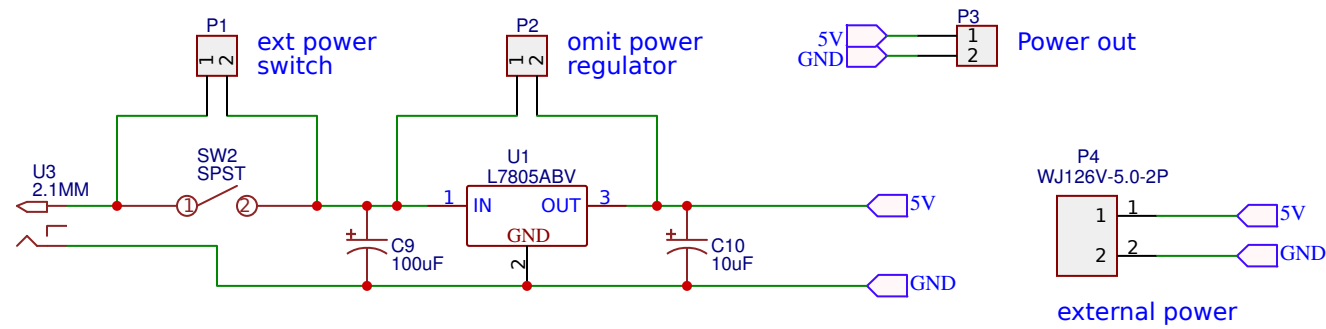
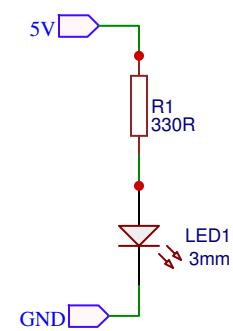


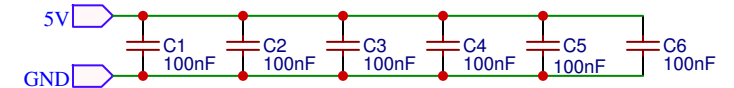
Power +5V
w/power switch and Power regulator



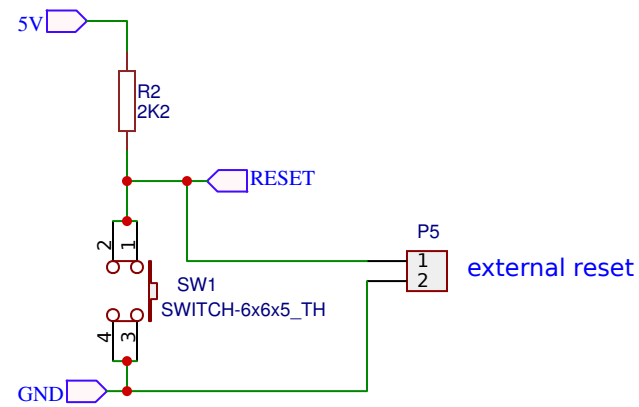
Power Light



RC80 bus



Reset Circuit



RC80 bus