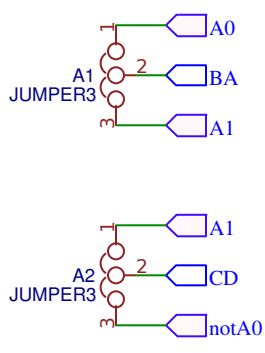
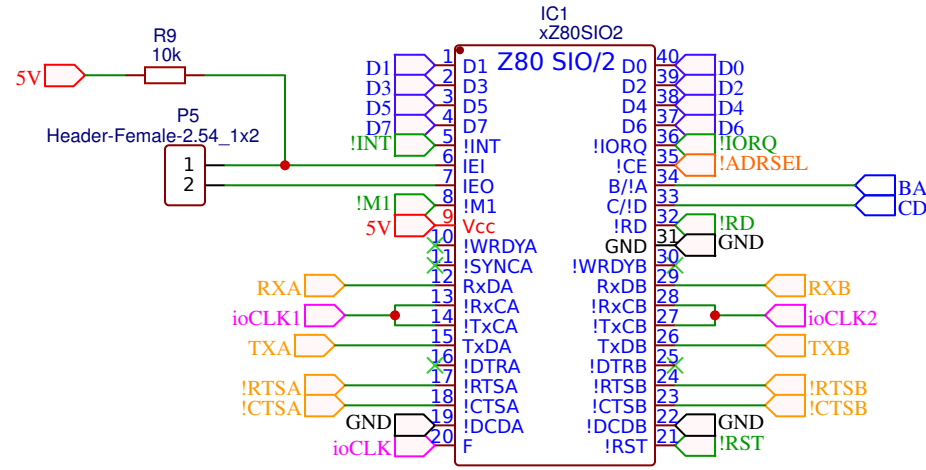
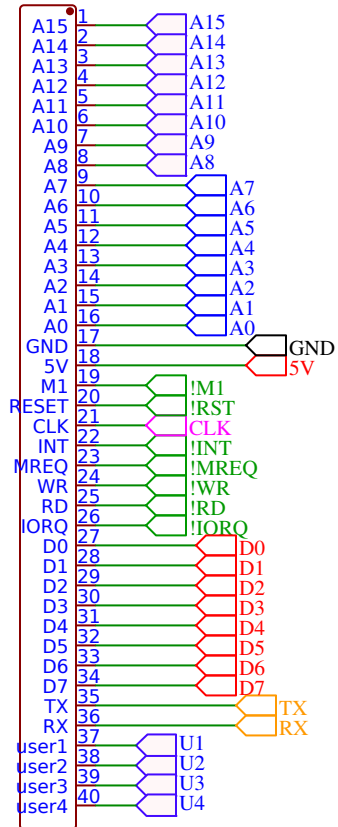
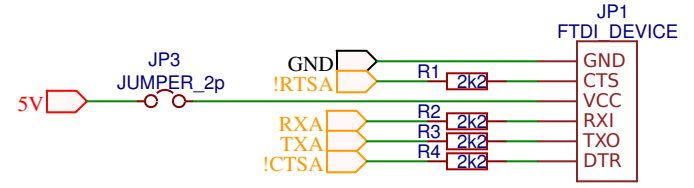


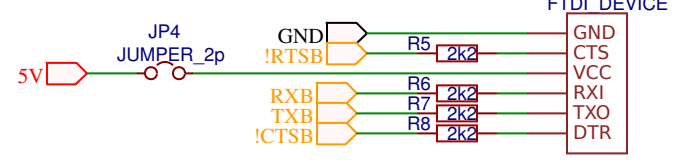
RC40_BUS
2.54mm 1x40P



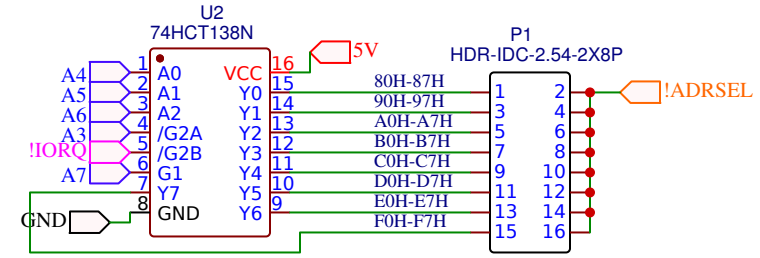
FTDI Port A



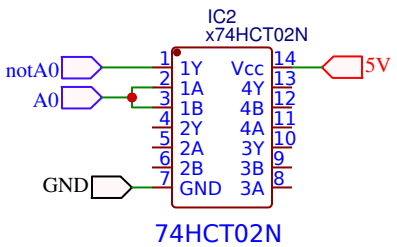
FTDI Port B



ADDRESS LOGIC



1??? 0xxx &h80 = default



Clock and Clock Select

