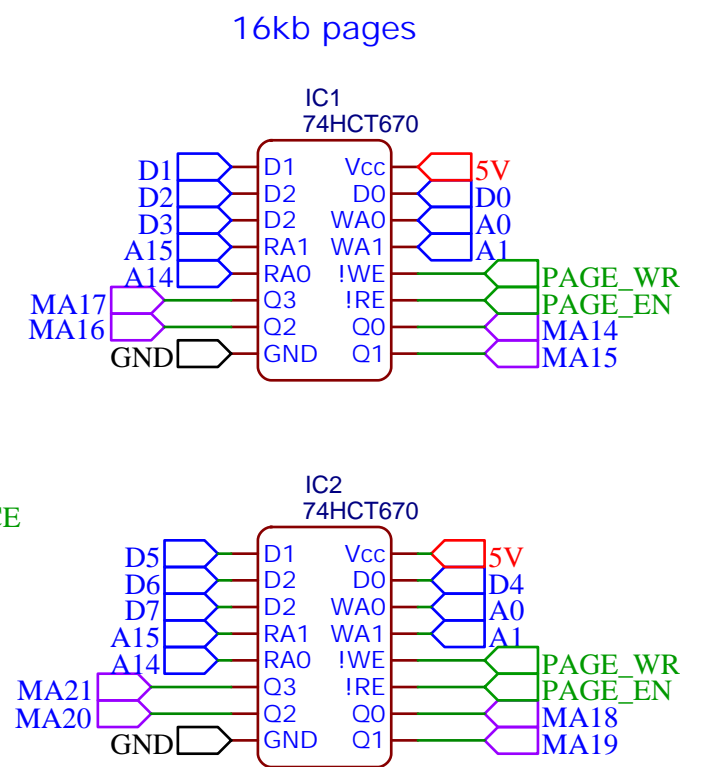
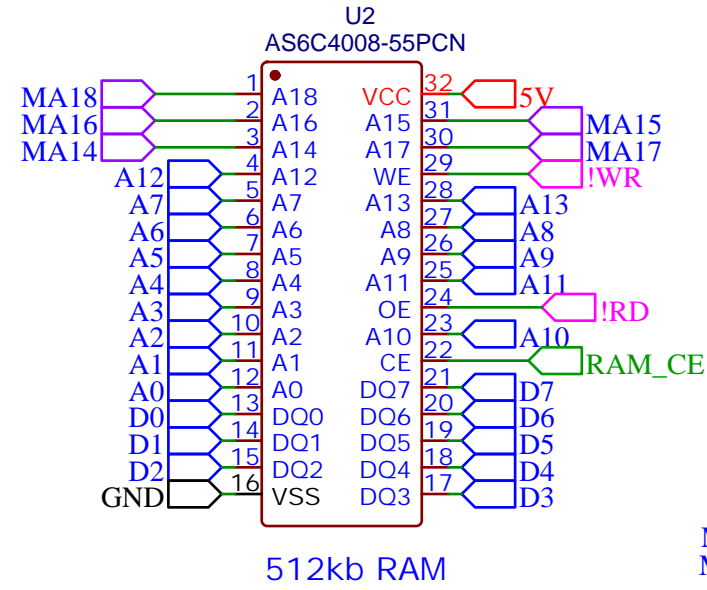
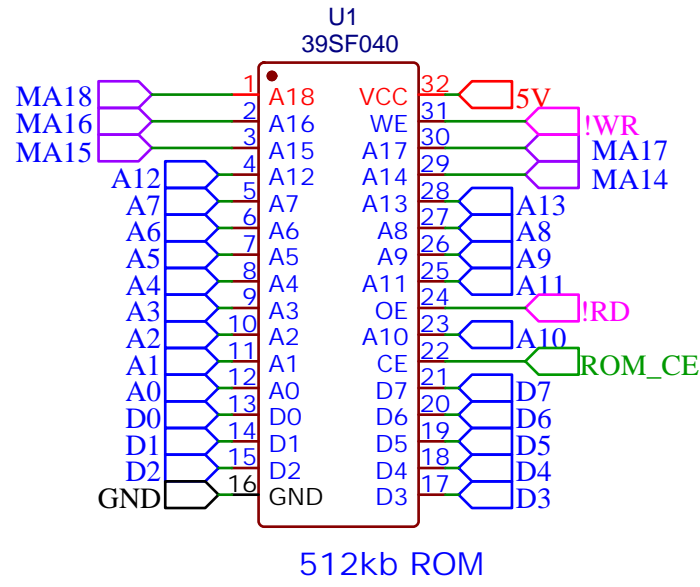
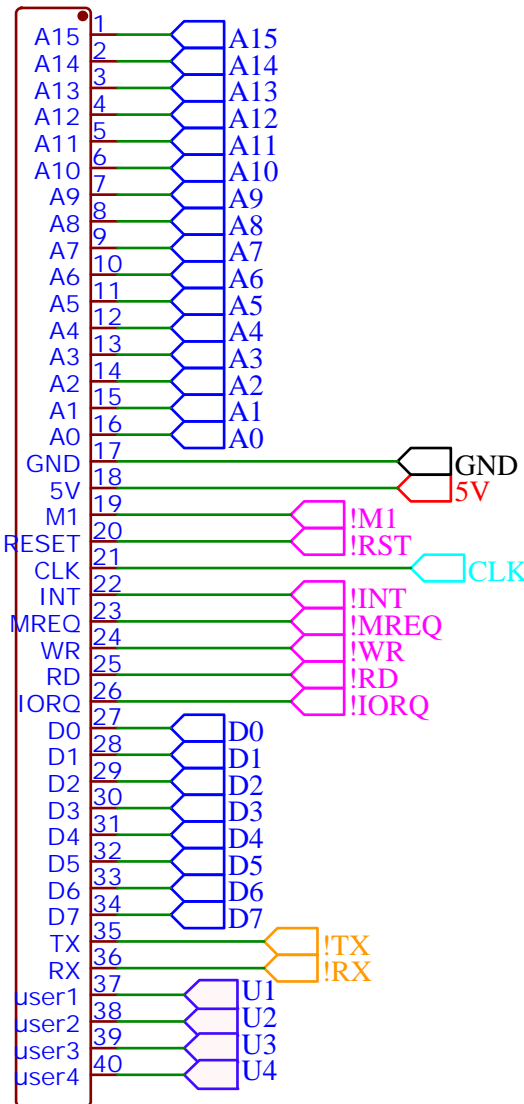
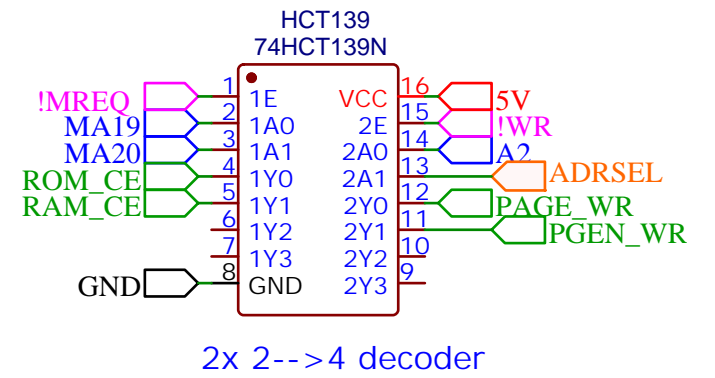
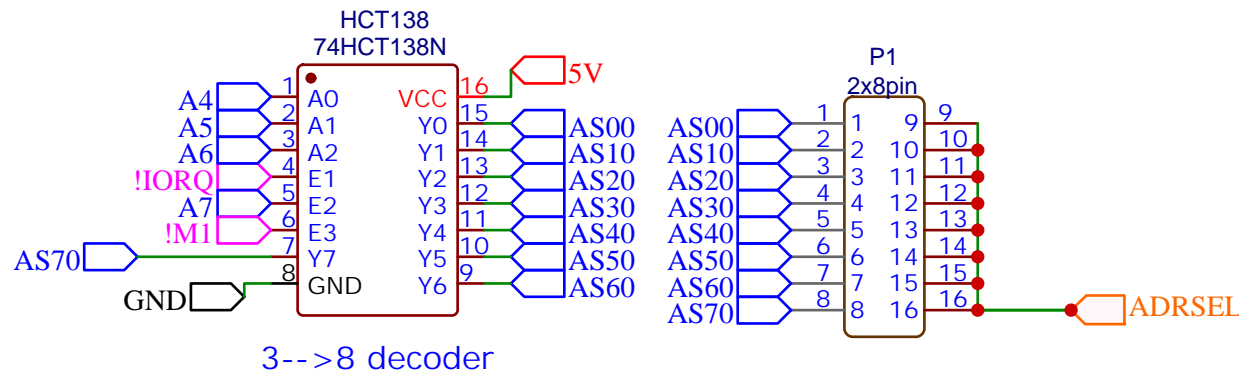


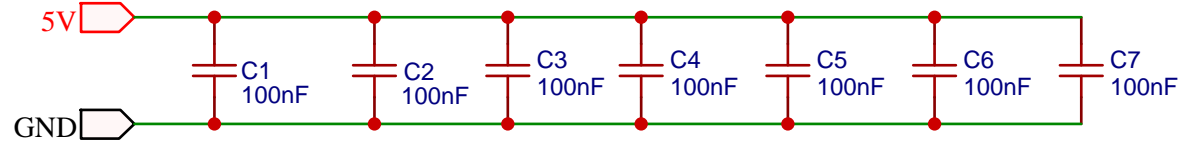
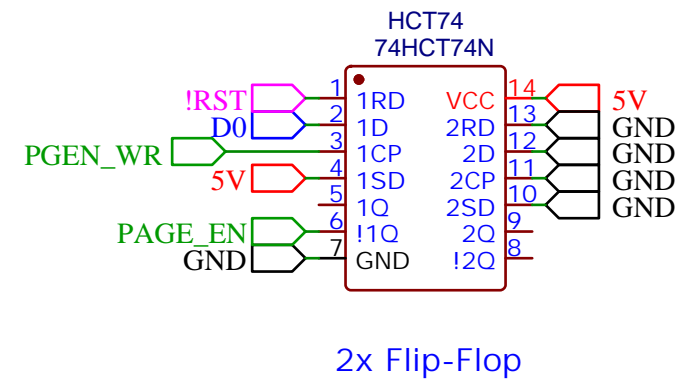
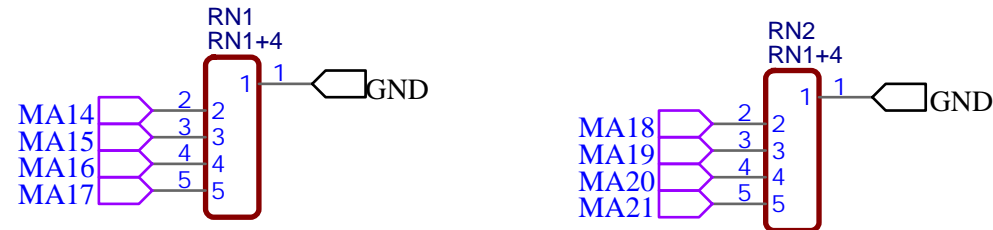
RC40\_BUS  
2.54mm 1x40P



IO port addressing



Pull Signals Low



TITLE: #65 Memory Module (ROMWBW)		REV: A
EasyEDA	Company: Your Company	Sheet: 1/1
	Date: 2019-04-11	Drawn By: karlab

RX

RX

RX