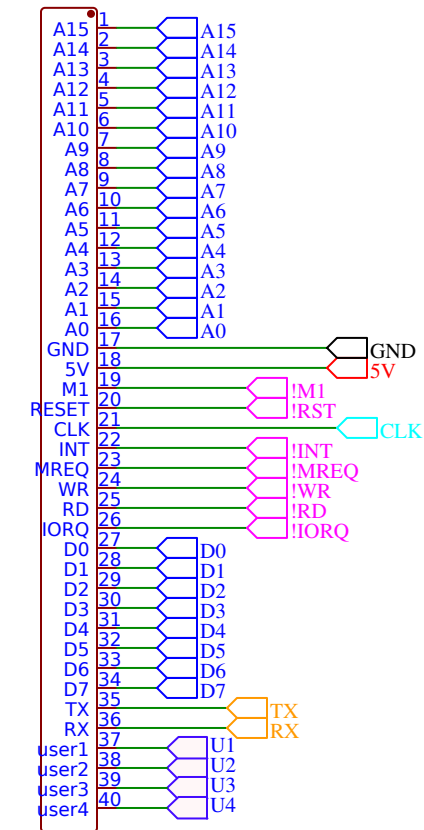
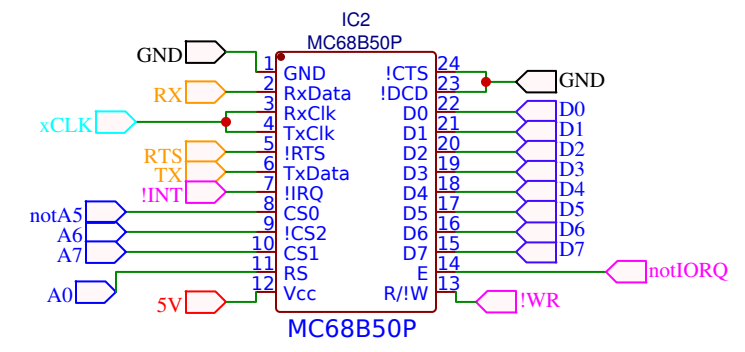
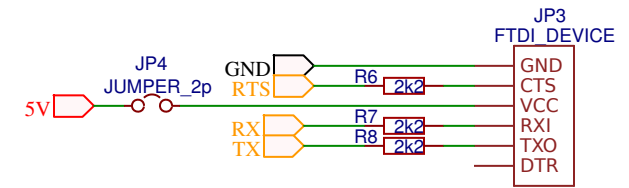
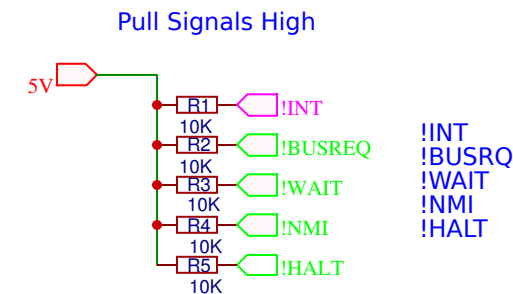
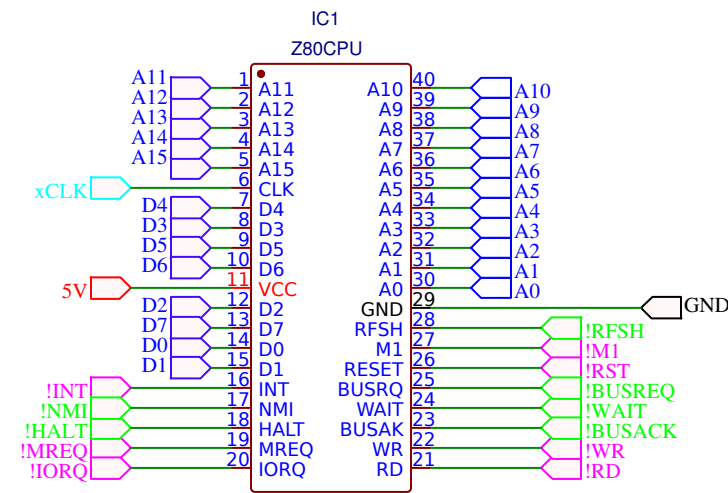
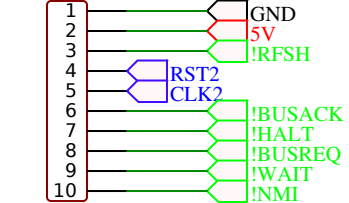


RC40_BUS
2.54mm 1x40P

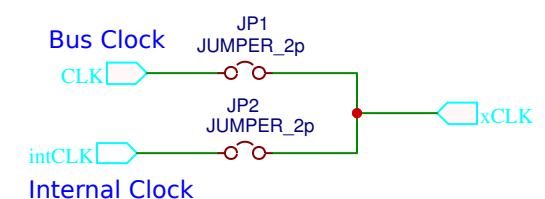
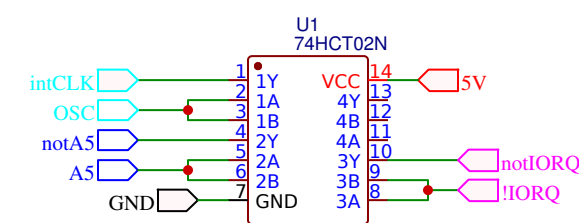
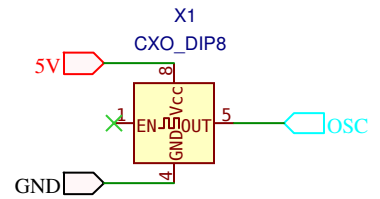
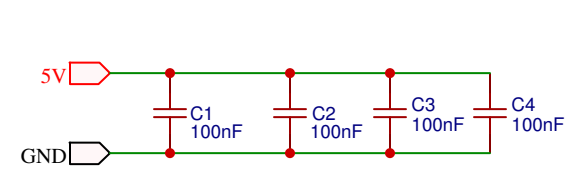


EXT_BUS
2.54mm 1*10P Straight Female header Gold-plated



!M1 = 10xx xxxx \$80-\$BF
notA5 = 100x xxxx \$80-\$9F

Clock and Clock Select + Glue logic



TITLE: 63 CPU + Clock + Serial		REV: A
Company: Your Company		Sheet: 1/1
Date: 2019-03-15	Drawn By: karlab	