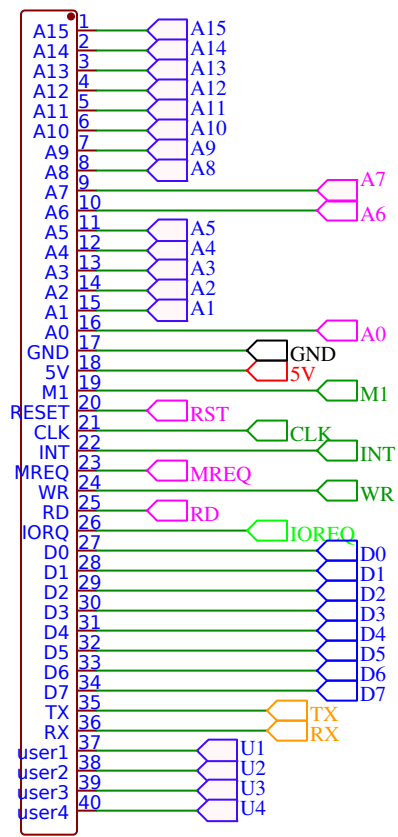
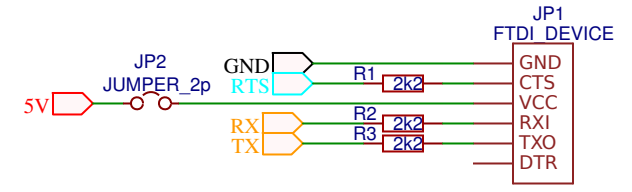
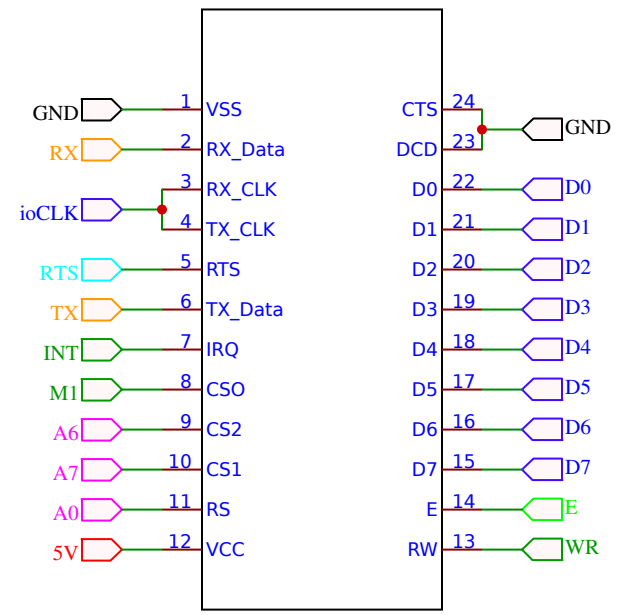


RC2014 BUS
2.54mm 1x40P



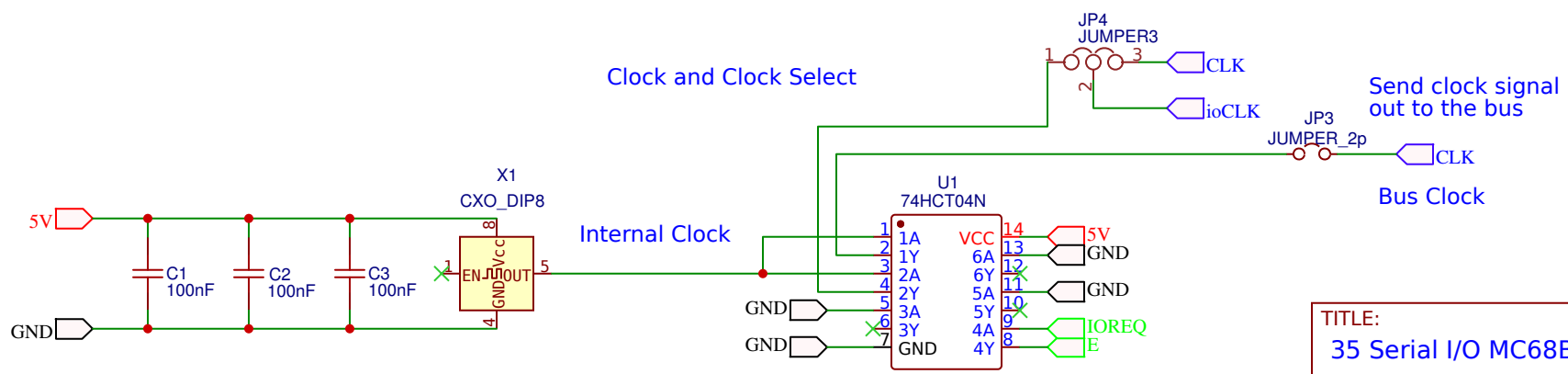
MC68B50

IC1
MC68B50CP



Clock and Clock Select

Send clock signal out to the bus



TITLE: 35 Serial I/O MC68B50		REV: 1.0
Date: 2018-07-30	Sheet: 1/1	
EasyEDA V5.6.15	Drawn By: karlab	