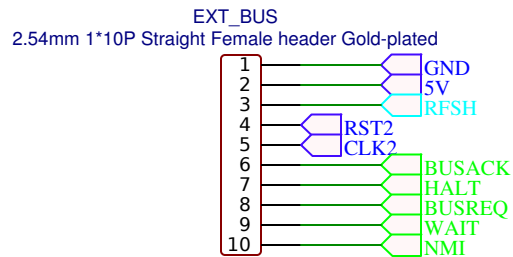
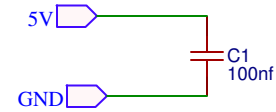
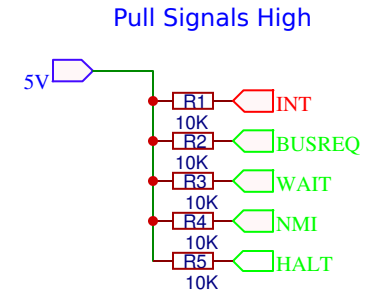
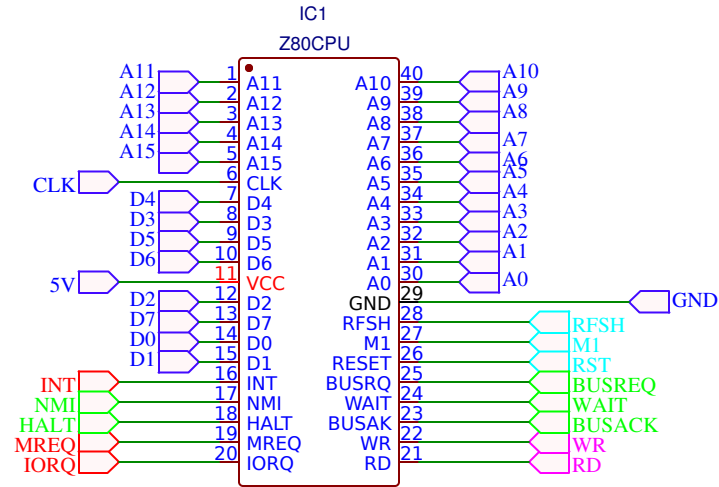
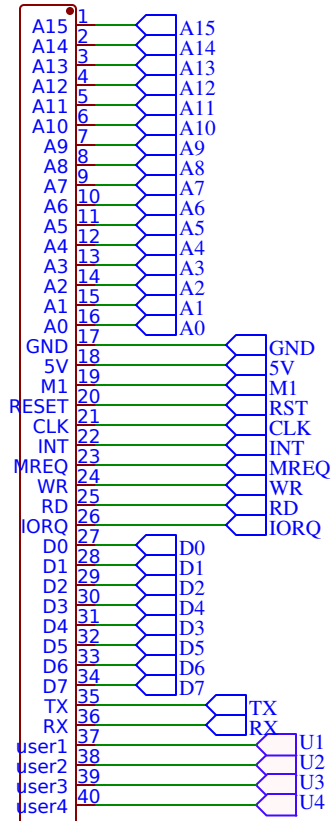


FC2014_BUS
2.54mm 1x40P



GND
5V
RFSH
RST2
CLK2
BUSACK
HALT
BUSREQ
WAIT
NMI

TITLE: 12 Z80 CPU Module		REV: D
Date: 21.08.2018		Sheet: 1/1
EasyEDA V5.4.11		Drawn By: karlab