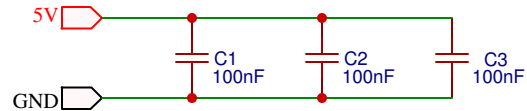
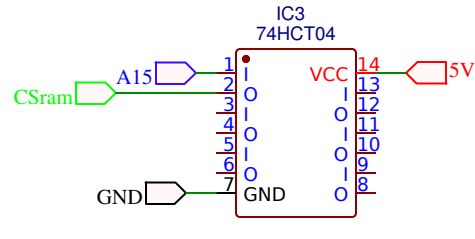
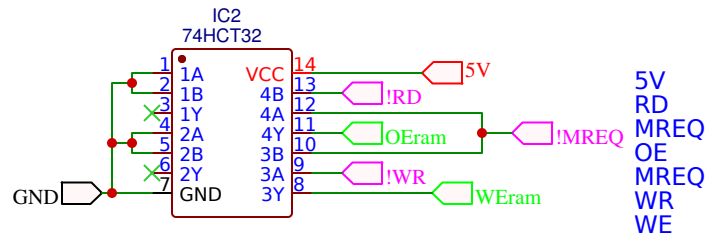
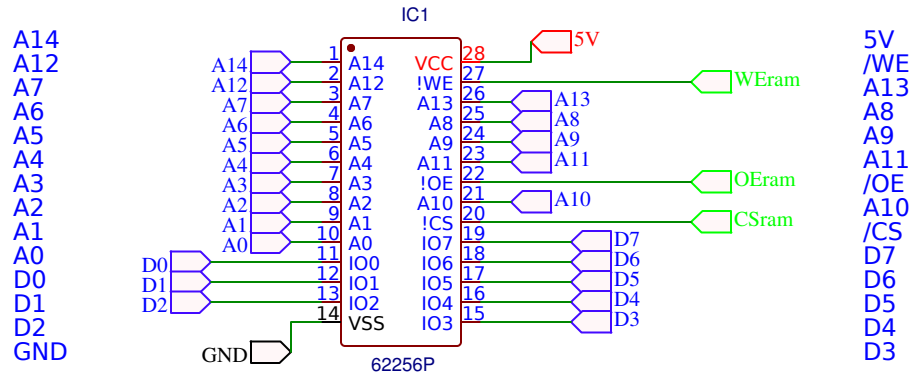
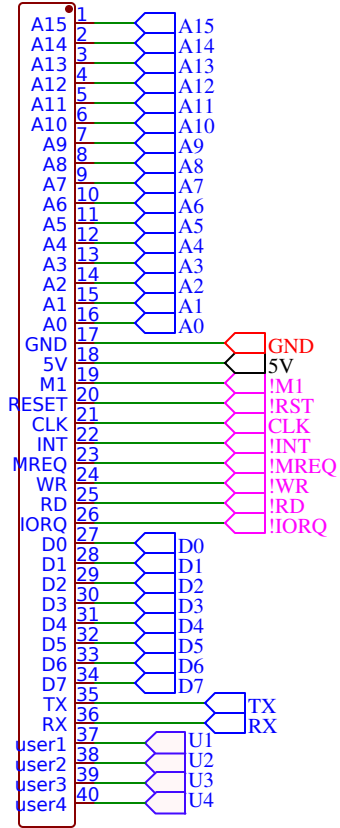


RC40\_BUS  
2.54mm 1x40P



TITLE: 14 - 32K RAM module		REV: E
Date: 21.08.2018	Sheet: 1/1	
EasyEDA V5.4.11	Drawn By: karlab	