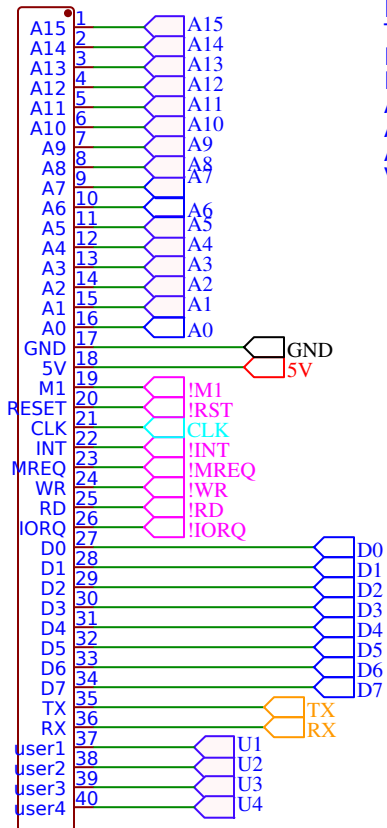


RC40_BUS
2.54mm 1x40P

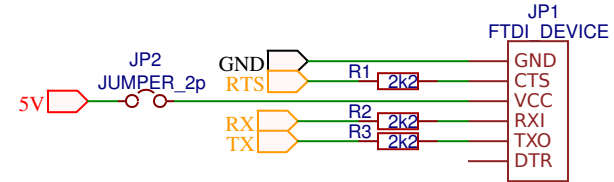
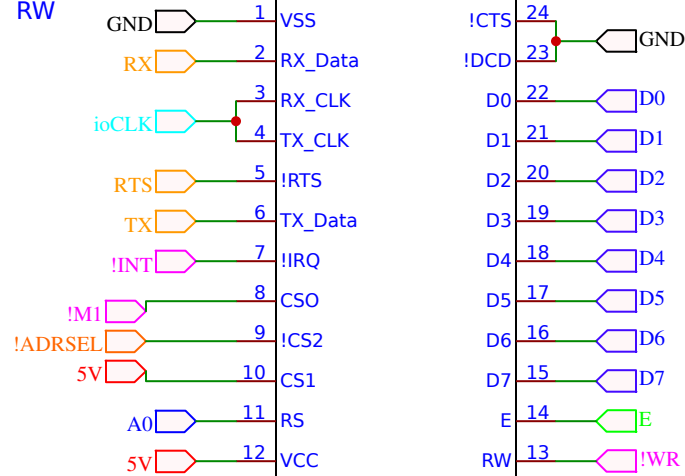


GND
RX
ioCLK
ioCLK
RTS
INT
M1
A6
A7
A0
Vcc

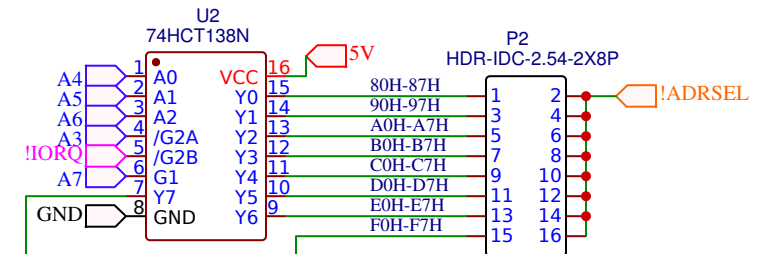
GND
GND
D0
D1
D2
D3
D4
D5
D6
D7
E
RW

MC68B50

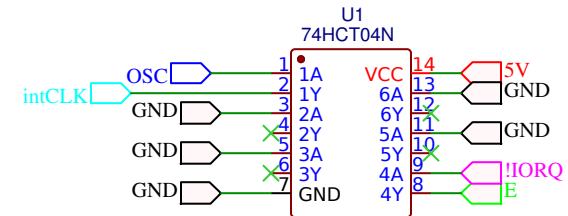
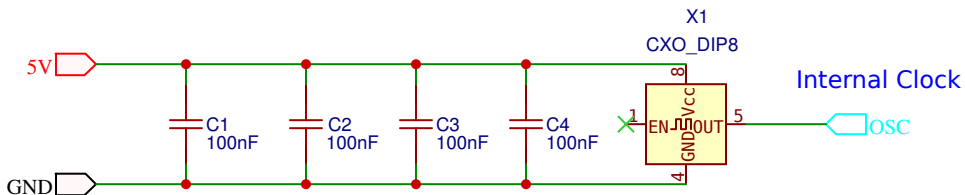
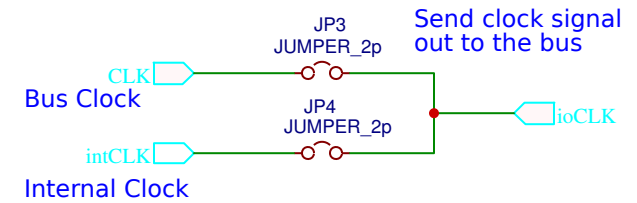
IC1
MC68B50CP



ADDRESS LOGIC



Clock and Clock Select
+ Glue logic



TITLE: #37b Serial I/O		REV: B
Date: 2018-11-07		Sheet: 1/1
EasyEDA V5.8.20		Drawn By: karlab